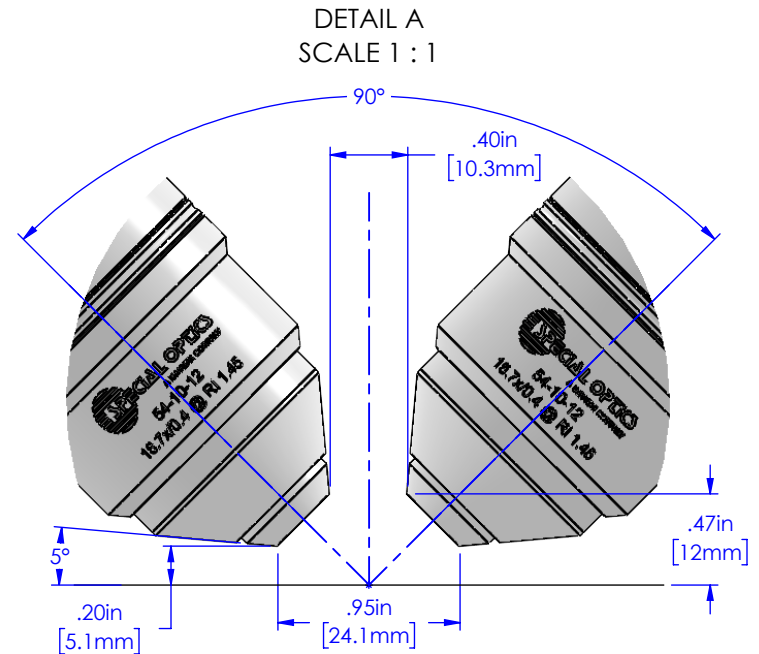
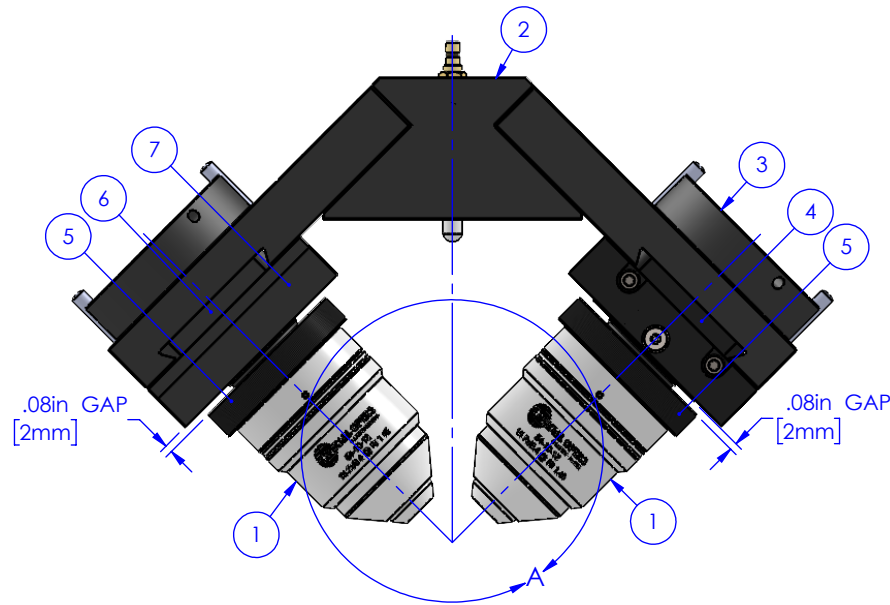



OBJECTIVE DRAWING 54-10-12 WITH 54-10-12

THIS DRAWING AND ALL DATA INCLUDED IS THE PROPERTY OF APPLIED SCIENTIFIC INSTRUMENTATION AND THE INFORMATION CONTAINED HEREIN IS FOR GENERAL PRESENTATION PURPOSES ONLY AND MAY CHANGE AT ANY TIME. CONTACT ASI OR A FACTORY REPRESENTATIVE FOR PROJECT SPECIFIC ENGINEERING.



ITEM NO.	PART NUMBER	DESCRIPTION	QTY.
1	Objective 1-26990 (54-10-12 480-910nm) REV C	Multi-immersion objective, 12mm WD, NA 0.4 @ RI 1.45, EFL 12mm @ RI 1.45. Designed RI range 1.33 to 1.56. 62mm parfocal distance, M25 threads. Standard wavelength coating 480-910nm.	2
2	RAO-ADJ	Modular SPIM objective pair 90 degree bracket with dovetail fittings and white LEDs. Includes RAO-ADJ-01 and qty 2 RAO-ADJ-02 plus hardware. RAO-ADJ-x spacers can be added as needed, RAO-ADJ-01 is 14.6mm thick axially.	1
3	C60-RAO	C60-RING system adapter; adds 12mm along optical axis	2
4	OBLPA	Transverse objective linear positioner assembly (includes male dovetail).	1
5	RAO-0004L - LARGER O.D. JAM BUSHING ASSEMBLY	Objective bushing for M25 objectives, with Teflon inserts. Extra wide. 8mm thickness. Adapts from M25 to M25, M26, RMS, or M32 (M25 standard).	2
6	DVOBJ	Dovetail (male) for use with fixed spacers with through-hole, 3.5mm thick.	1
7	DLPS-02 - LP REPLACEMENT SPACER	Spacer to replace transverse linear positioner (OBLPA) on other side of SPIM head. Use with DVOBJ. M25 threads, 10.5mm thick.	1

 PROPRIETARY AND CONFIDENTIAL THE INFORMATION CONTAINED IN THIS DRAWING IS THE SOLE PROPERTY OF APPLIED SCIENTIFIC INSTRUMENTATION. ANY REPRODUCTION IN PART OR AS A WHOLE WITHOUT THE WRITTEN PERMISSION OF APPLIED SCIENTIFIC INSTRUMENTATION IS PROHIBITED.	APPLIED SCIENTIFIC INSTRUMENTATION 29391 W ENID RD EUGENE, OR 97402-9533 PHONE: (541)461-8181 FAX: (541)461-4018		UNLESS OTHERWISE SPECIFIED DIMENSIONS ARE IN INCHES .xx ± .01 .xxx ± .005 .xxxx ± .0002 FRACTIONS ± 1/32 ANGLES ± 1°		DESCRIPTION DUAL 54-10-12 OBJECTIVES	
	DRAWN BY/DATE M.ANTHONY 4/6/23	CHECKED BY/DATE J.DANIELS 4/6/23	SCALE 1:2	REV 0	MATERIAL -	DRAWING # 54-10-12 & 54-10-12

5

4

3

2

1